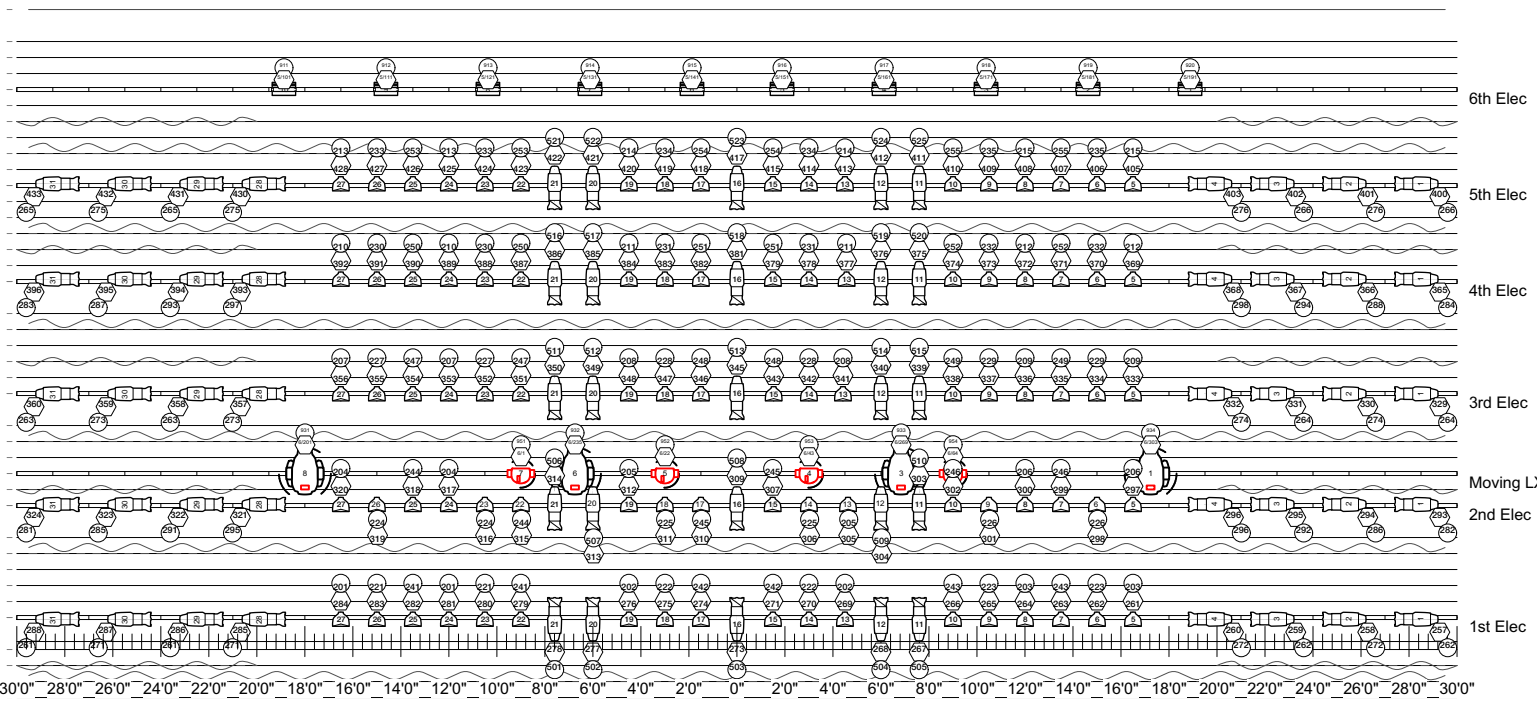
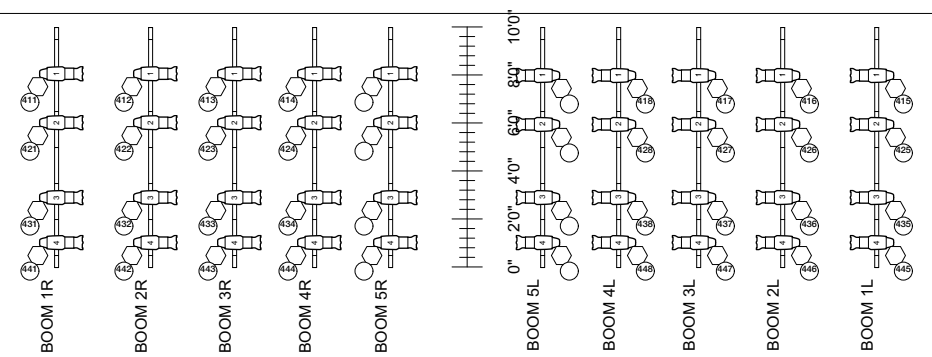


CYC	39
OPEN	38
OPEN	37
OPEN	36
ELEX #6 (CYC)	35
OPEN	34
US TRAV/5TH LEGS	33
OPEN	32
6TH BORDER	31
OPEN	30
ELEX #5	29
OPEN	28
MOVER ELECTRIC 2	27
4TH LEGS	26
5TH BORDER	25
OPEN	24
ELEX #4	23
DIVA SHELL #4	22
4TH BORDER	21
ROLL DROP SCRNM	20
MS TRAV/3RD LEGS	19
OPEN	18
ELEX #3	17
DIVA SHELL #3	16
3RD BORDER	15
OPEN	14
Moving Light Electric	13
2ND LEGS	12
ELEX #2	11
DIVA SHELL #2	10
2ND BORDER	9
OPEN	8
OPEN	7
OPEN	6
ELEX #1	5
DIVA SHELL #1	4
1ST LEGS	3
1ST BORDER	2
MAIN CURTAIN	1
PORTAL HEADER	1



FLY RAIL

HOUSE BOOMS



60'-0"  
X



**VIRGINIA G PIPER THEATRE**

SCOTTSDALE CENTER FOR THE PERFORMING ARTS

OVERSTAGE LX PLOT

SCALE: 1/8" = 1'

DRAFTED BY: ZACH C

As Of: 8/01/2020

Plate **1** of 1